

Compact Powerful Flood

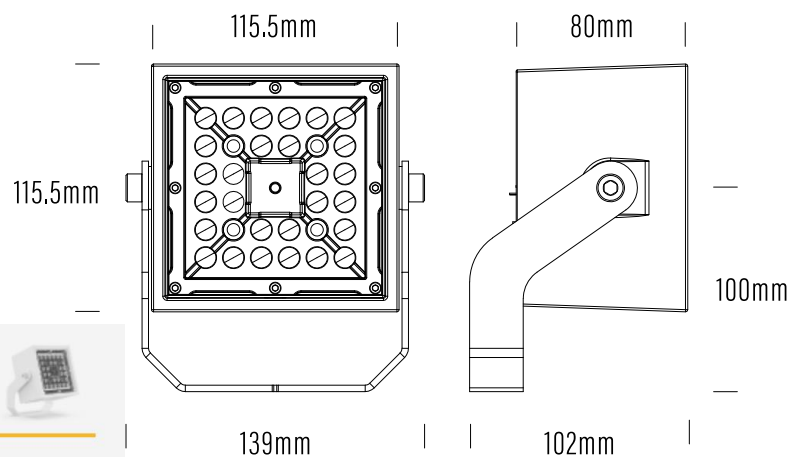
High Quality compact LED flood

Made in Australia from high quality CNC machined Aluminium then commercially powder-coated to give an extremely durable finish, suitable for seaside applications.

35W – 5000lm



Product Code	29-985-XX-XX
Finish	White, Silver, Black, Bronze, Basalt
Material	CNC Aluminium 6000 Series
Lamp Source	LED
Colour Temperature	2700 °K 3000°K 4000°K 5700°K RGB+3K
CRI	>90
Wattage	35-50W
Lumens	35W 5000 lm 50W-RGBW 2000
Beam Angle	25, 55, 80
Input Voltage	24VDC
Dimensions	See Below
Dimmable	3 Wire 10v PWM
IP Rating	67
Rated Average Life	50,000hrs
Warranty	7 Years



Made In Australia

142 Bridge Rd, Richmond, Victoria, 3121 +61 3 9543 9922
 4 Production St, Beenleigh, Queensland, 4207 +61 7 3382 6689
www.laserlighting.com.au
sales@laserlighting.com.au