

Compact Powerful Flood

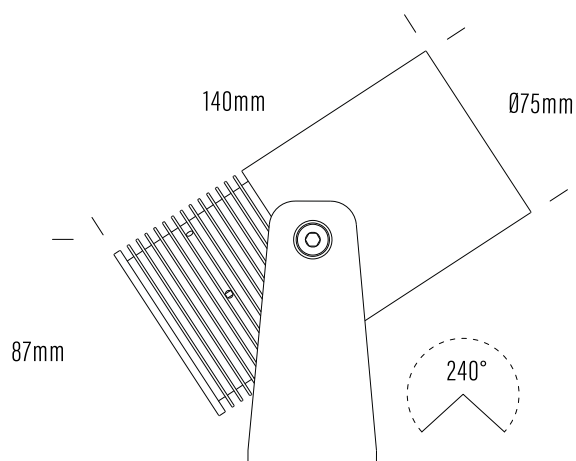
High Quality compact LED flood

Made in Australia from high quality CNC machined Aluminium then commercially powder-coated to give an extremely durable finish, suitable for seaside applications.

25W – 2500lm



Product Code	29-180-XX-XX
Finish	White, Silver, Black, Bronze, Basalt
Material	CNC Aluminium 6000 Series
Lamp Source	LED
Colour Temperature	3000°K 4000°K RGB+3K
CRI	>90
Wattage	20-25W
Lumens	20W RGBW -1090 lm 25W-2500lm
Beam Angle	10, 35, 55
Input Voltage	24VDC
Dimensions	See Below
Dimmable	3 Wire 10v PWM
IP Rating	67
Rated Average Life	50,000hrs
Warranty	7 Years



Made In Australia

142 Bridge Rd, Richmond, Victoria, 3121 +61 3 9543 9922
 4 Production St, Beenleigh, Queensland, 4207 +61 7 3382 6689
www.laserlighting.com.au
sales@laserlighting.com.au