

# Decklight Micro

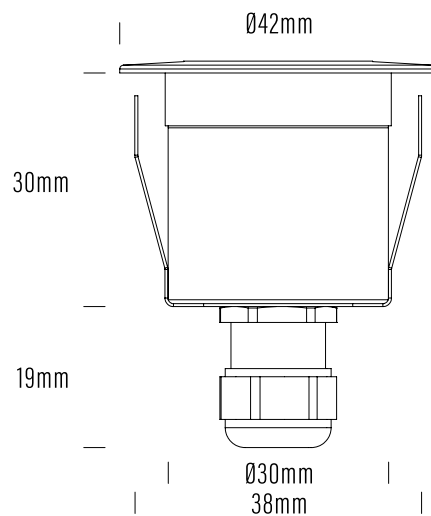
## High Quality Micro Decklight

Made in Australia from high quality CNC machined Aluminium then commercially powder-coated to give an extremely durable finish, suitable for seaside applications.

This fitting also includes a patented quick connect that eliminates water ingress through the cable.



Product Code	29-195-XX-XX-XX
Finish	White, Silver, Black, Bronze, Bassalt
Material	CNC Aluminium 6000 Series
Lamp Source	LED
Colour Temperature	27K   30K   57K   Blue   Green   Red
CRI	>90
Wattage	2W
Lumens	2W-150lm
Beam Angle	Diffuse
Input Voltage	24VDC
Dimensions	See Below
Dimmable	3 Wire 10v PWM
IP Rating	65
Rated Average Life	50,000hrs
Warranty	7 Years



Allow an extra 20mm in height for the cable