

ATHLOS



Athlos 2 Modules

Athlos 1 Module

KEY ADVANTAGES

- Floodlight for huge areas with 1 or 2 modules of 600 and 1,200W.
- Up to 135lm/ W.
- Up to 4 optical distributions.
- Excellent visibility and uniformity.
- IP66 & IK08.
- Lifespan L90B10 60.000h Ta 25°C.
- Smart Ready: Designed to host both communications node interiors and exteriors.

LED **Eprotec**



4000K CRI>70 5700K CRI>70

100 - 277V / 240V - 480V
50-60Hz
L90B10 60.000h
Ta 25°C

DESCRIPTION

Athlos is the Carandini's floodlight for huge areas applications and sports spaces. Its easy installation, its robustness, with state-of-the-art LED technology and the optical distributions that it incorporates make it a high quality and versatile solution.

81.000 lm - 162.000lm

-40°C - +50°C

135lm /W
Luminarie

0,00% - 0,35%

18,0 Kg - 36,0 Kg

STANDARD COMPLIANCE

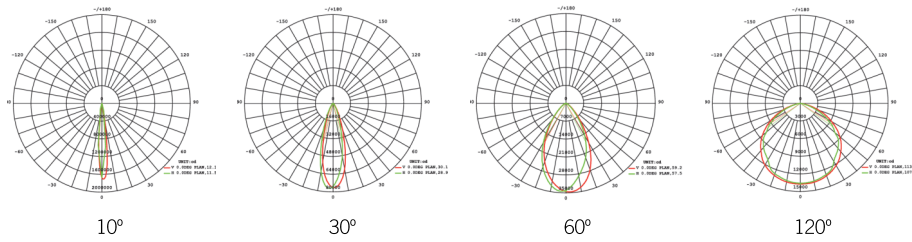
- CE
- RoHS
- UNE-EN 60598-1
- UNE-EN 60598-2-3 o 60598-2-5
- UNE-EN 62471:2009
- UNE-EN 60598
- UNE-EN 61000-3-2
- UNE-EN 61000-3-3
- UNE-EN 55015
- UNE-EN 61547
- UNE-EN 62031
- UNE-EN 61347-2-13
- UNE-EN 62384
- UNE-EN 13032-4

LOGISTICS INFORMATION

	Athlos 1 Module	Athlos 2 Modules
Gross weight:	18 Kg	36 Kg
Units per box:	1 unit	1 unit
Box dimensions:	690 x 618 x 369mm	780 x 618 x 621mm

PHOTOMETRIC DISTRIBUTIONS

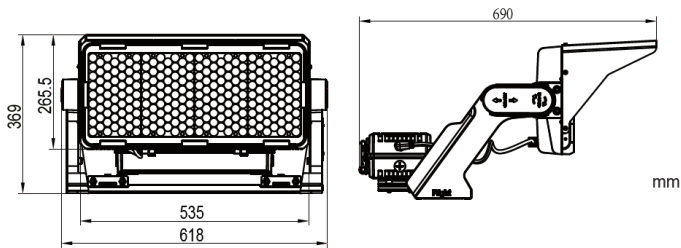
It has 4 photometric distributions used for the environments in which this type of luminaire is installed, it can be adapted to all needs:



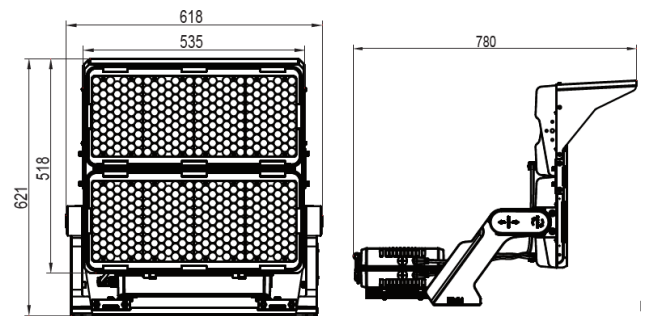
DIMENSIONS

Dimensions in mm.

Athlos 1 module

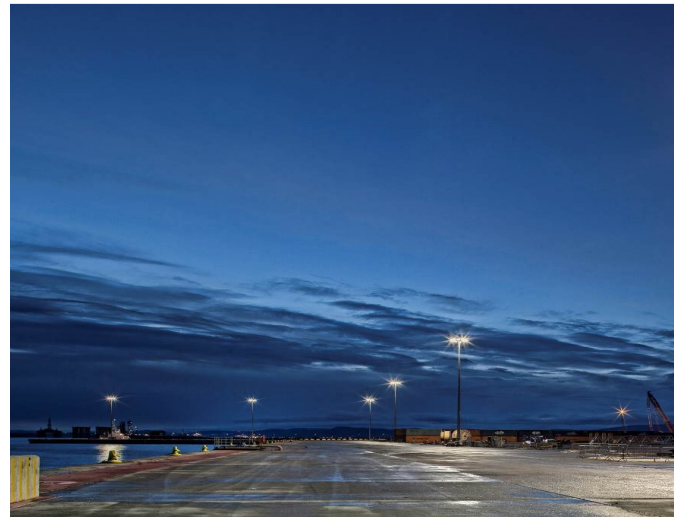


Athlos 2 modules



APPLICATIONS

Soccer fields, tennis courts, athletic tracks, parking lots, ports and airports among many other high-altitude applications.



CHARACTERISTICS ATHLOS

GENERAL CHARACTERISTICS

Body and fork	Aluminum injected at high pressure EN AC-44300 with low copper content <0.1% (AISI304).
Finish	RAL 7022 bronze color.
Closure	Tempered glass 4 mm thick.
Outer nuts and bolts	Stainless steel (AISI304).
Watertightness	IP66 (EN 60529)
Watertightness	IK08 (EN 62262)
Operating temperature	Ta -40°C to +50°C According to luminaire configuration.
Lifespan	L90B10 60.000h Ta de 25°C. Light maintenance values at 25°C are calculated by TM-21 in LM-80 database.

ELECTRICAL CHARACTERISTICS

Electrical class	Class I
Voltage / Frequency	100V - 277V / 50Hz - 60Hz Optional 240V - 480V
Power factor	> 0,95
Harmonic distorsion	< 15%
Surge protector	Surge protector 10kV - 10kA Optional 20kV - 20kA

INSTALLATION AND MAINTENANCE

Installation and maintenance	Driver installed on the back of the projector in an IP66 box. Optionally, the equipment box can be supplied separate from the projector to be placed separately from the luminaire, at a distance of up to 20m. The cable that goes from the equipment to the luminaire incorporates a protective mesh.
Fixation	Fork fixing.
Mechanical regulation	The fork has an inclination of up to 270°.
Weight	Athlos 1 module: 18 Kg Athlos 2 modules: 36 Kg
Accessories	- Paralumen for versions of 1 and 2 modules. - Laser pointer to facilitate installation.

LIGHT CHARACTERISTICS

Real lumen package	Athlos 1 module: 81,000 lm - 600W. Athlos 2 modules: 162,000 lm - 1,200W.
LED color temperature	Available in 4.000 K and 5.700 K. 3.000 K and 5.000K, consult.
Colour rendering index(CRI)	CRI>70. Other CRI, consult.
LEDs	It integrates modules of 816 and 1,632 LEDs.
ULOR	Between 0,00% and 0,35%
Photometric distributions	10° => Throw 10°, spread 10° 30° => Throw 30°, spread 30° 60° => Throw 60°, spread 60° 120° => Throw 120°, spread 120°
LED thermal control	Heat dissipation by conduction through the specific design for this luminaire, since it has been designed specifically for LED technology.

MANAGEMENT AND CONTROL

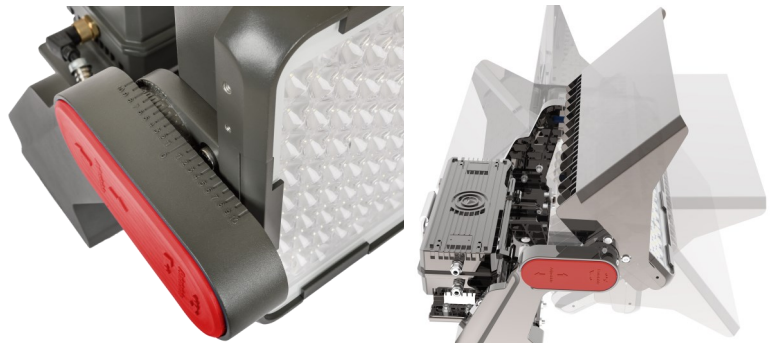
Equipment	AO: LED Adjustable 0-10V Protocol. RD: LED Adjustable DALI Protocol.
-----------	---

NOTE: Correct data on the date of printing. The company reserves the right to change the value at any time.

ATHLOS PHOTOGRAPHS



Driver installed on the back of the floodlight, in a IP66 box.



The floodlight can be adjusted up to 270°



Includes a shield to contain the light



Athlos design maximizes management of floodlight heat.